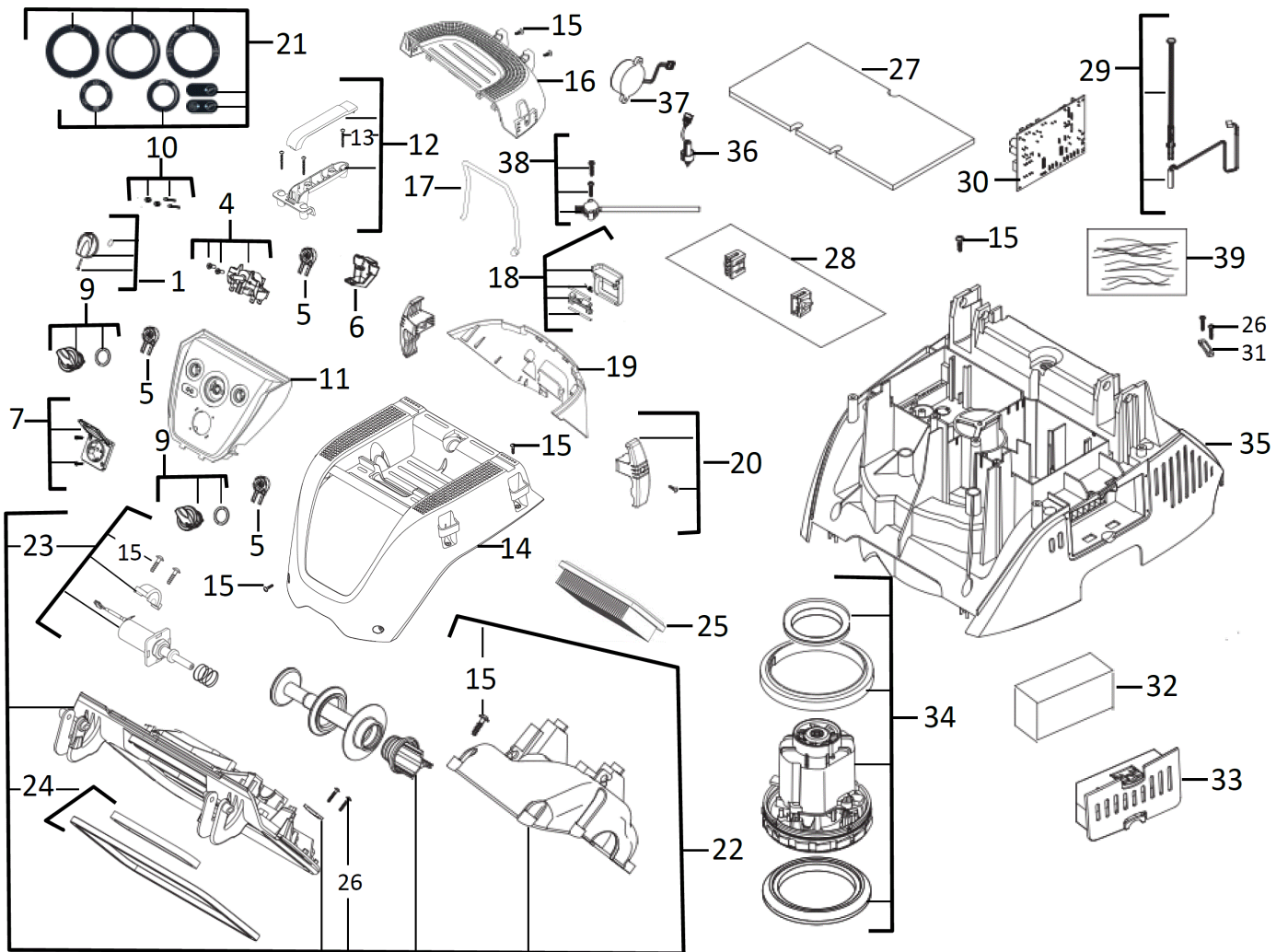
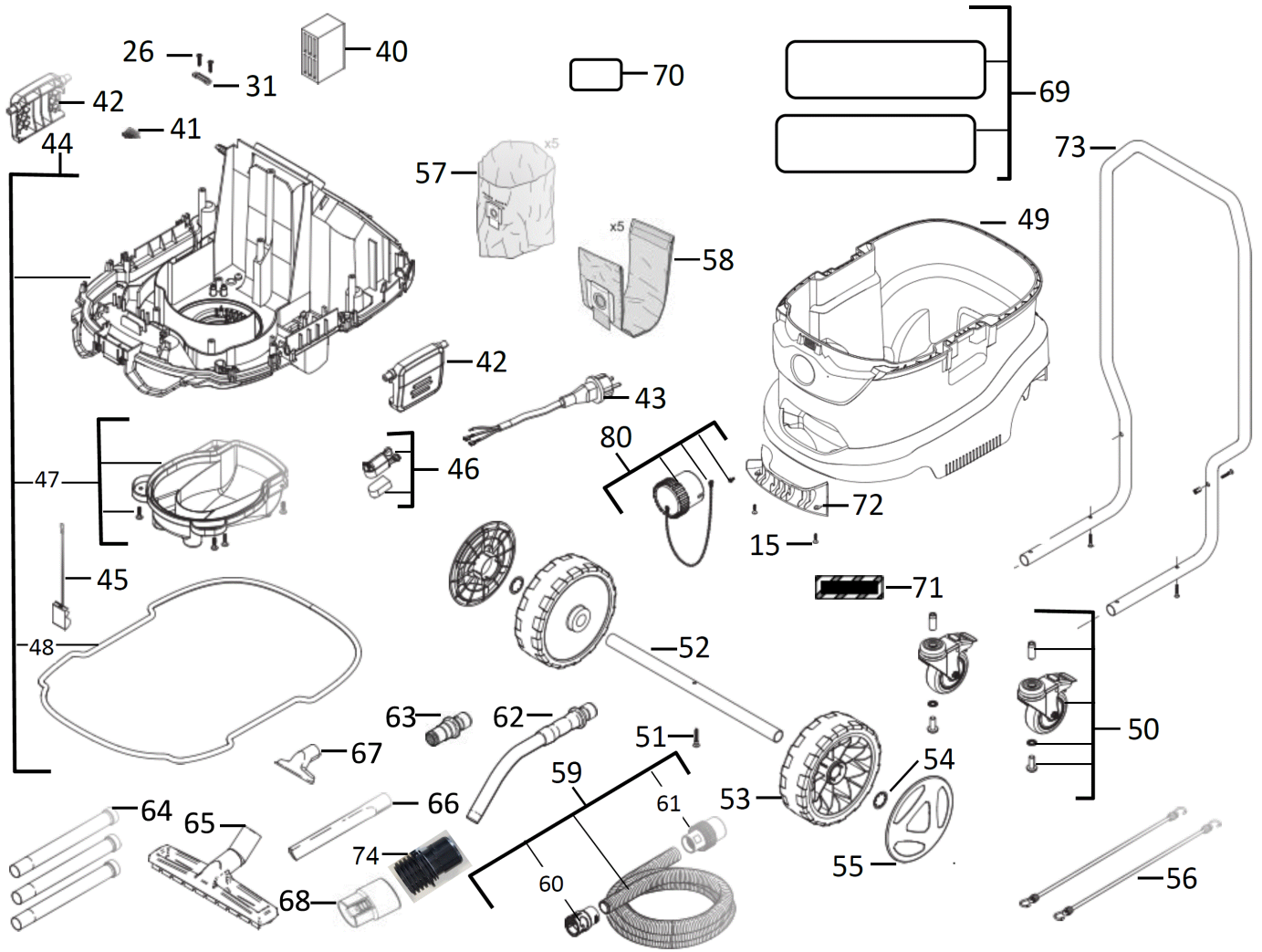


AS-42MAC AC 42L M CL.WET-DRY CLEANER IN2

4933459418 - AS-42MACAC42LMCLASS - 4000458815







Position	Quantity	Description	Part number	EAN
0001 1	1	KNOB	4931416119	4002395805389
0004 2	1	SWITCH KIT	4931461823	4058546040567
0005 3	3	POTENTIOMETER	4931461824	4058546040574
0006 4	1	COVER	4931461825	4058546040581
0007 5	1	WALL SOCKET	4931416260	4002395796458
0009 6	2	KNOB	4931461826	4058546040598
0010 7	1	INDICATOR LIGHT	4931461868	4058546229689
0011 8	1	CONTROL PANEL KIT	4931461869	4058546229696
0012 9	1	HANDLE SET	4931461828	4058546040611
0013 10	1	PART NOT DEATAILED	1000063920	
0014 11	1	HOUSING COVER	4931461830	4058546040635
0015 12	17	SCREW	4931448663	4002395261819
0016 13	1	HOUSING COVER	4931461831	4058546040642
0017 14	1	WAISTBELT	4931461832	4058546040659
0018 15	1	CLAMP	4931461833	4058546040666
0019 16	1	HOUSING COVER	4931461834	4058546040673
0020 17	2	HOOK	4931461835	4058546040680
0021 18	1	ADHESIVE LABEL	4931461870	4058546229702
0022 19	1	FRAME CAP	4931461867	4058546229672
0023 20	1	COIL	4931461837	4058546040703
0024 21	1	GASKET	4931461838	4058546040710
0025 22	1	PTFE FLAT FILTER - 1PC	4932459687	4058546028596
0026 23	4	SCREW	4931448666	4002395258420
0027 24	1	FOAM SLUG	4931461839	4058546040727
0028 25	1	HOLDING DEVICE	4931461840	4058546040734
0029 26	1	GAUGE	4931461841	4058546040741
0030 27	1	ELECTRONIC	4931461871	4058546229719
0031 28	2	CABLE JOINT	Item discontinued(4931416316)	
0032 29	1	DIFFUSER	4931461843	4058546040765
0033 30	1	COVER	4931461844	4058546040772
0034 31	1	MOTOR ASSEMBLY	4931461845	4058546229450
0035 32	1	HOUSING COVER	4931461872	4058546229726
0036 33	1	GAUGE	4931461873	4058546229733
0037 34	1	GAUGE	4931461874	4058546229740
0038 35	1	GAUGE	4931461875	4058546229757
0039 36	1	CAPACITOR	4931461847	4058546229474
0040 37	1	SHOCK ABSORBER	4931461848	4058546229481
0041 38	1	CONNECTION SET	Item discontinued(4931416317)	
0042 39	2	STAPLE	4931461849	4058546229498
0043 40	1	CONNECTION CABLE	4931446489	4002395877164
0044 41	1	BODY	4931461850	4058546229504
0045 42	1	CONTACT SPRING	4931461851	4058546229511
0046 43	1	MAGNET.DISC FASTEN.	4931461852	4058546229528
0047 44	1	COVER	4931461853	4058546229535
0048 45	1	GASKET	4931461854	4058546229542
0049 46	1	TANK	4931461887	4058546229870
0050 47	1	ROLL	4931461888	4058546229887
0051 48	1	SCREW	4931461857	4058546229573
0052 49	1	AXLE	4931416336	4002395797998
0053 50	2	ROLL	4931461858	4058546229580

Position	Quantity	Description	Part number	EAN
0054 51	2	SLEEVE	4931416339	4002395795185
0055 52	2	COVER	4931461859	4058546229597
0056 53	1	WAISTBELT	4931461860	4058546229603
0057 54	1	DISPOSAL BAGS (30L) - 5PCS	4932459690	4058546028626
0058 55	1	AS 30/42 FLEECE FILTER BAGS - 5PCS	4932459689	4058546028619
0059 56	1	SUCTION HOSE	4931461861	4058546229610
0060 57	1	ADAPTER	4931461862	4058546229627
0061 58	1	MUFF	4931416458	4002395847167
0062 59	1	ADAPTER	4931416166	4002395805495
0063 60	1	MUFF	4931416173	4002395805501
0064 61	1	SUCTION TUBE (3 pc)	4931461863	4058546229634
0065 62	1	FLOOR TOOL	4931448691	4002395256471
0066 63	1	NOZZLE	4931416284	4002395797097
0067 64	1	NOZZLE	4931416283	4002395797080
0068 65	1	CONNECTOR	4931447294	4002395251490
0069 66	1	RATING PLATE	4931461889	4058546229894
0070 67	1	ADHESIVE LABEL	4931461865	4058546229658
0071 68	1	ADHESIVE LABEL	4931461877	4058546229771
0072 69	1	HANDLE	4931461890	4058546229900
0073 70	1	METAL PUSH HANDLE - 1PCS	4932459691	4058546028633
0074 71	1	ADAPTOR / CONNECTOR	4931463999	4058546270490
0080 72	1	HOSE INLET PLUG	4931479727	4058546394905